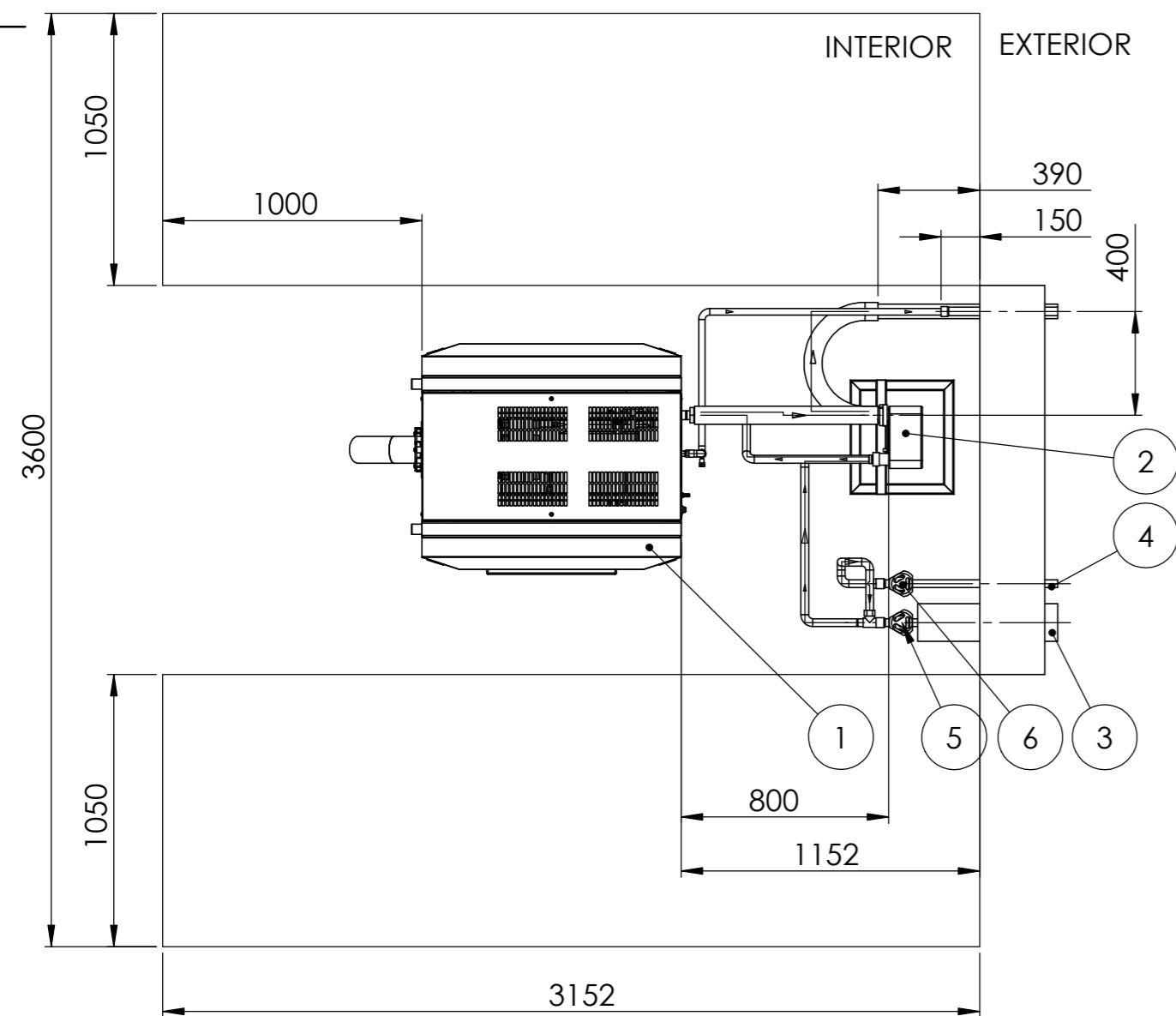
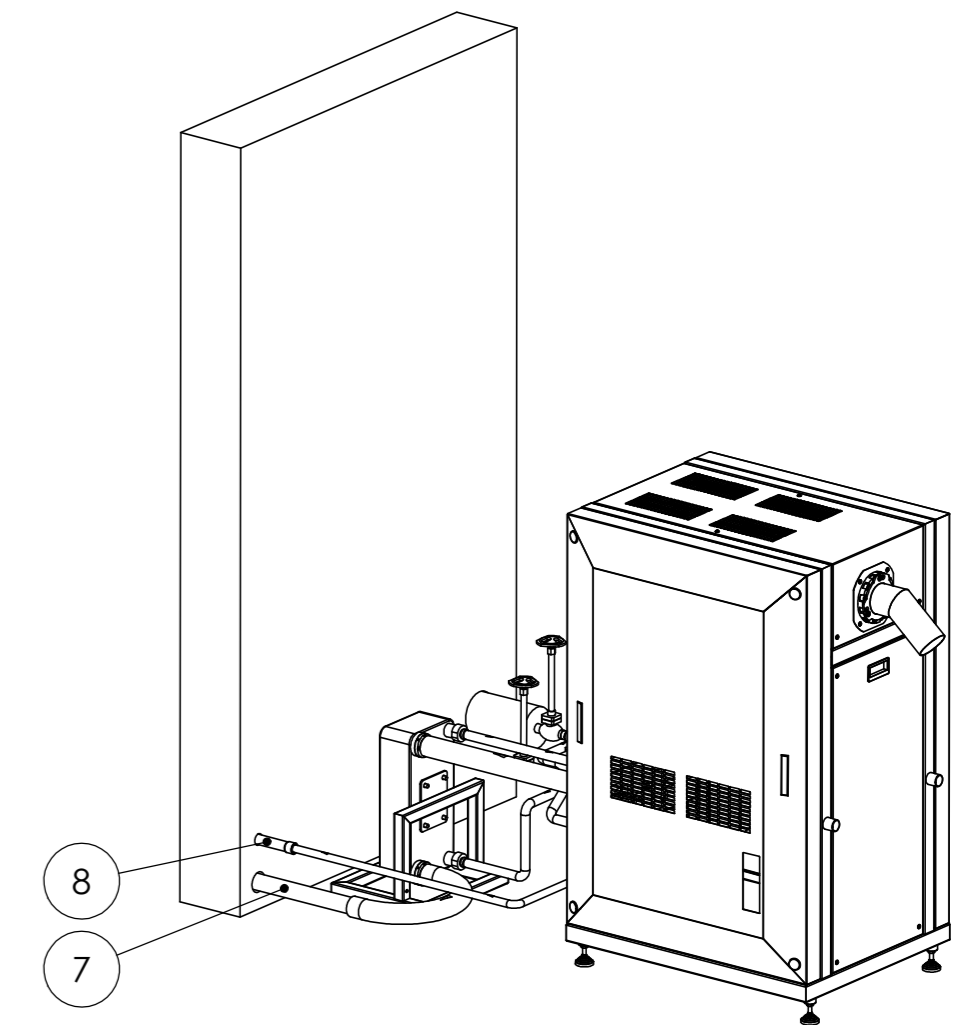
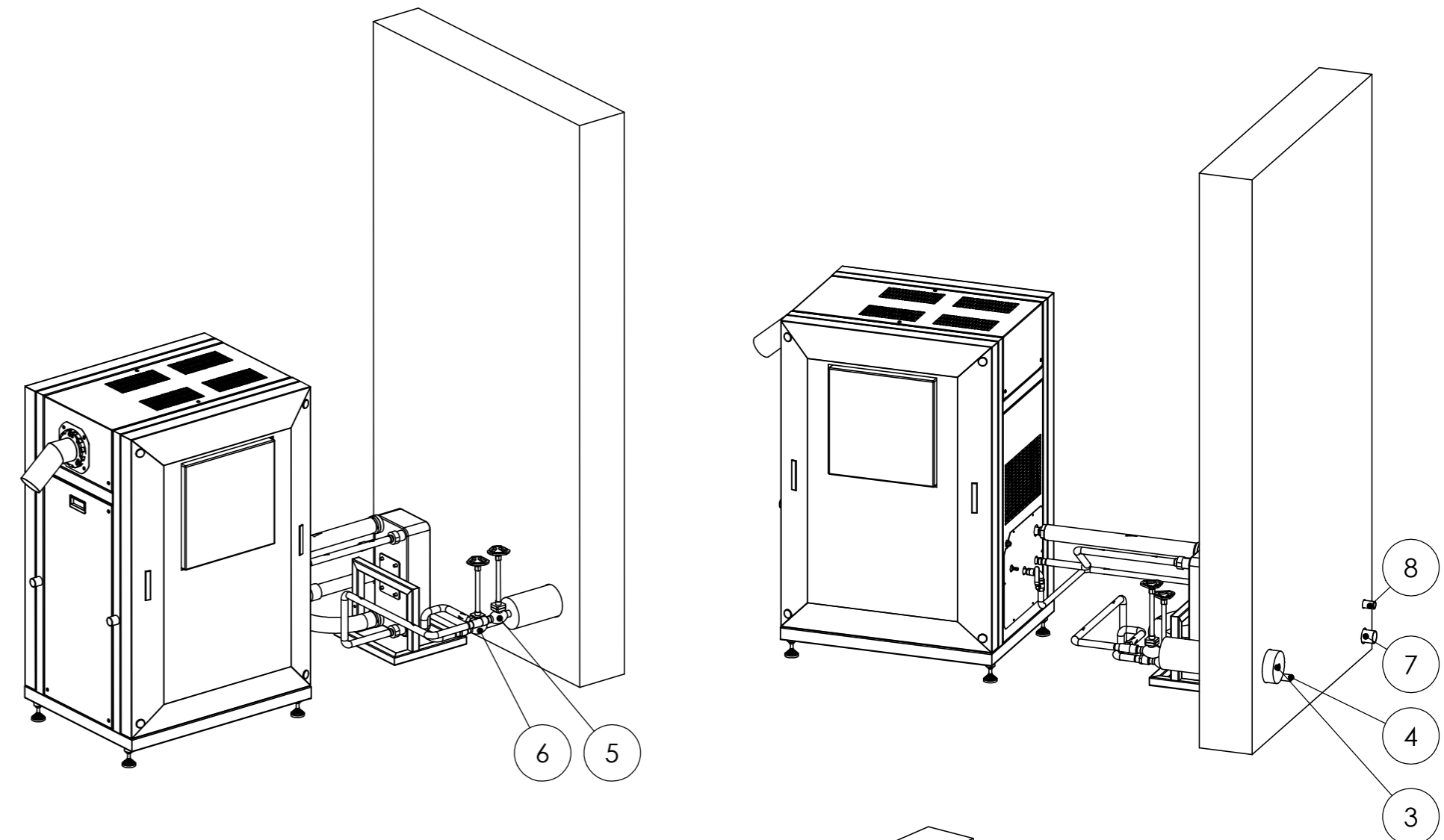
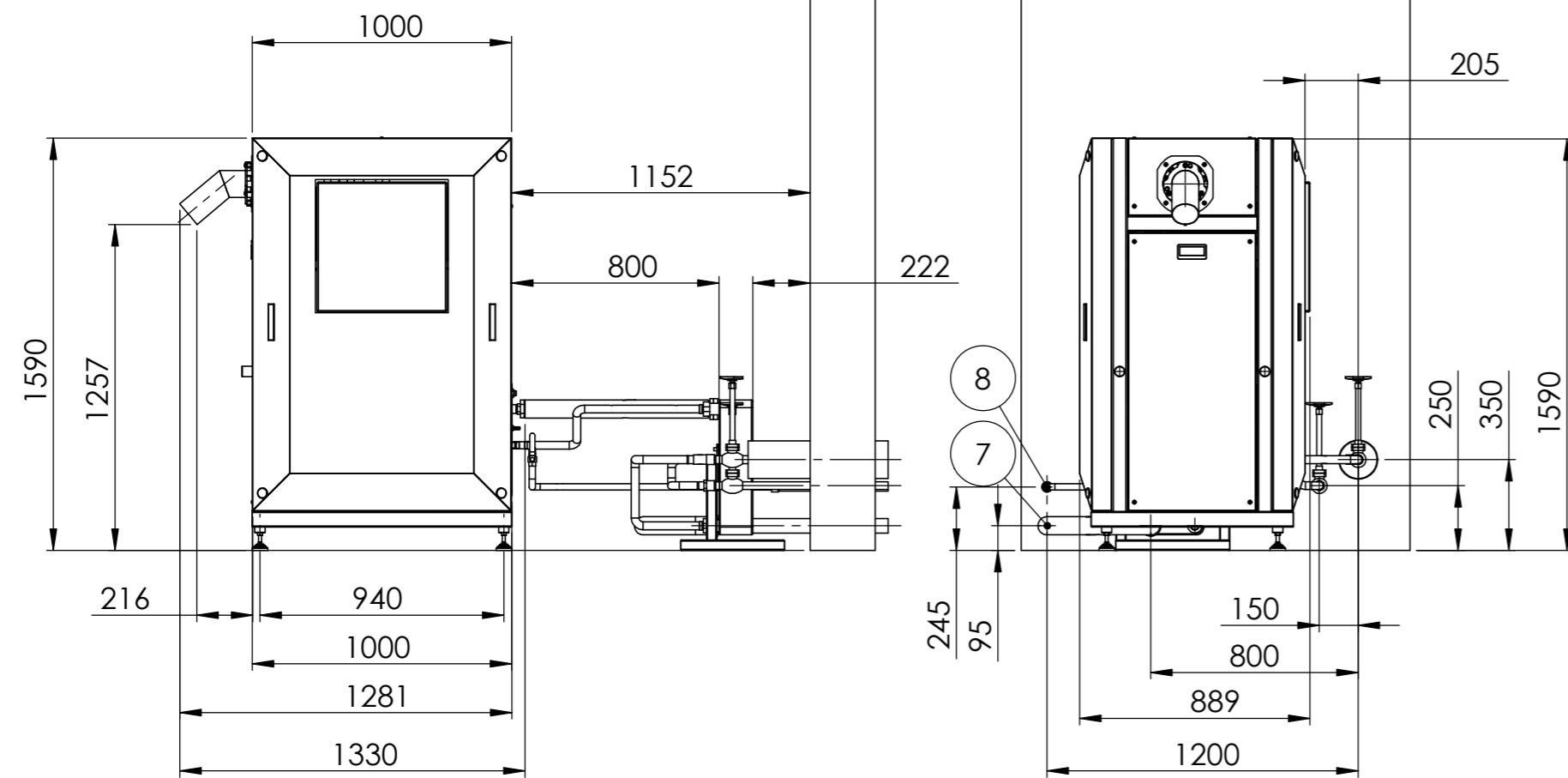


IP-100-H INSTALLATION



DRAWING SHOWS THE RECOMMENDED INSTALLATION OF ICS DRY ICE PELLETIZER FOR FURTHER INFORMATION CONTACT ICS ICE CLEANING SYSTEMS, s.r.o.
 NOTE: THE PELLETIZER SHOULD BE LOCATED AS CLOSE TO THE CO2 TANK AS POSSIBLE, WITHIN 30m.
 VERTICAL RISE IN LIQUID SUPPLY LINE MUST BE KEPT TO A MINIMUM.
 VALIDITY OF DOCUMENT 1.5.2022

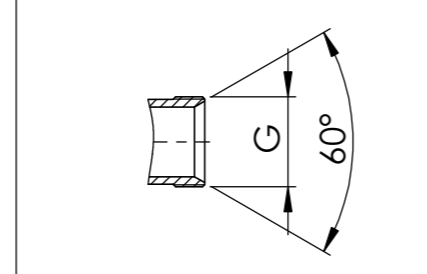
INSTALLATION ENVIRONMENT

INTERIOR
 AMBIENT TEMPERATURE:
 FROM +5 °C TO +30 °C
 DRY, VENTILATED AND NON-DUSTY
 ENVIRONMENT

MACHINE DIMENSIONS

LENGTH: 1000/1330 mm
 WIDTH: 889 mm
 HEIGHT: 1590 mm

BSP - EXTERNAL THREAD CYLINDRICAL



P.N.	NAME	SIZE
1	PELLETIZER IP-100-H	-
2	HEAT EXCHANGER	-
3	CO2 LIQUID SUPPLY LINE-SUPPLIED BY CUSTOMER	1"
4	CO2 VAPOR SUPPLY LINE-SUPPLIED BY CUSTOMER	1"
5	VALVE (LIQUID)-SUPPLIED BY CUSTOMER	G1"-11 (FEMALE)
6	VALVE (VAPOR)-SUPPLIED BY CUSTOMER	G1"-11 (FEMALE)
7	OUTLET PIPE 1-SUPPLIED BY CUSTOMER	BSP G2"-11 (MALE)
8	OUTLET PIPE 2-SUPPLIED BY CUSTOMER	BSP G1"-11 (MALE)
9		